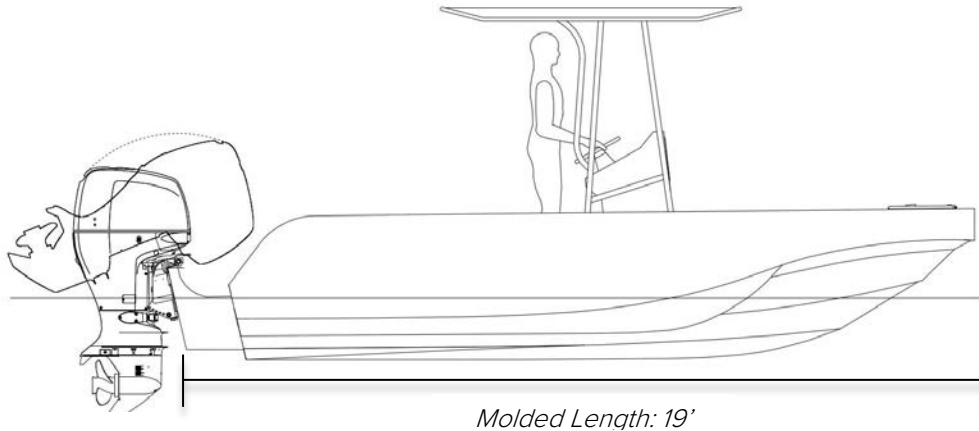


# SEA BLADE 19



**PERFORMANCE:**

Speed Maximum (Light Load).....+35 mph  
 Cruise Speed:..... 20 mph

**GENERAL DIMENSIONS:**

Trailer-Able Length ..... 21'4" (6.5 m)  
 Molded LOA..... 19'0" (5.8 m)  
 Beam Overall .....7'4" (2.3 m)  
 Draft (w/ motor) .....2'9" (.88 m)  
 Displacement at Light Ship ..... 1,950 lbs. (885 kg)  
 Displacement at Full Load ..... 3,400 lbs. (1,542 kg)

**CONSTRUCTION:**

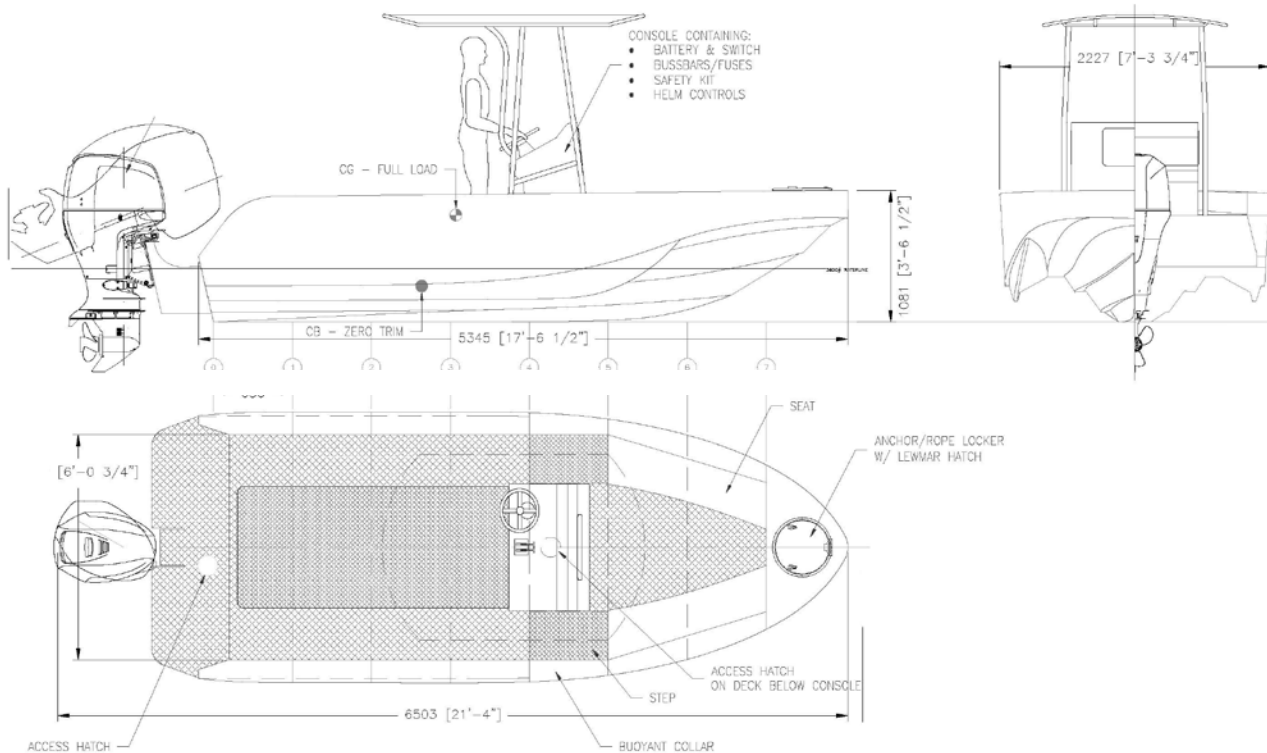
Material Hull and Deck.....Aluminum

**PROPULSION AND AUXILIARIES:**

Main engines: .....Single or Twin Outboards, up to 150 HP

**TANK CAPACITIES:**

Fuel (Standard) ..... 55 US gallons (208 Liters)



**Contact:**

Christian Bradley  
 Navatek Boat Builders  
 PO Box 29816  
 Honolulu, HI 96820  
 Tel: (808) 349-9587  
 Email: [cbradley@navatekltd.com](mailto:cbradley@navatekltd.com)  
 Website: [www.navatekboatbuilders.com](http://www.navatekboatbuilders.com)



Navatek ship hull forms and products are covered by multiple patents and trademarks. Visit:  
[www.navatekltd.com/patents.html](http://www.navatekltd.com/patents.html)  
 Revised (5/30/14)